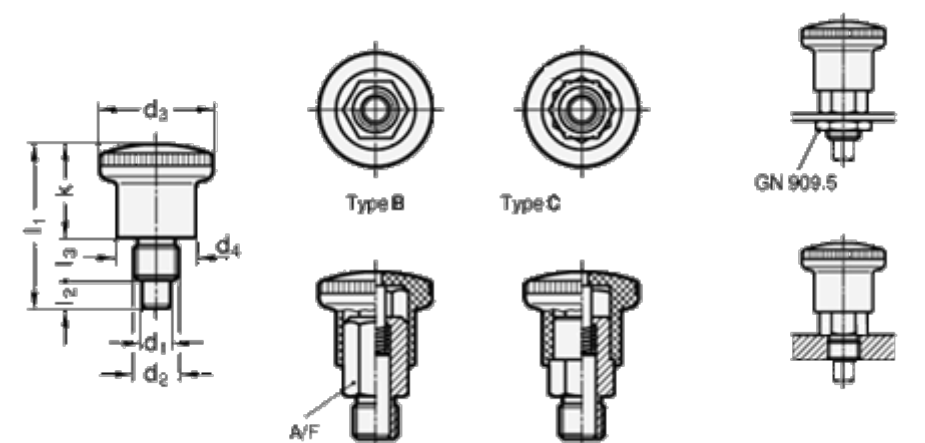


Article number: 2082275M101C

Description: E+G Mini indexing plunger  
with rest position, GN 822.6-5-M10x1-C

## Measures



d1 = 5

d2 = M10x1

d3 = 25

d4 = 18

k = 20.0

l1 = 34.0

l2 = 6

l3 = 8

Spring load initial N = 6